

WEWELER®

**WEWELER:
KWALITEIT
WAAROP U
KUNT VERTROUWEN**



VDL

www.weweler.eu



" Advanced technology guarantees cost and quality control "

Weweler landing legs, are produced in highly automated environments in which robotics play an important role in cost-effective and reliable production.

The robots allow consistent weld quality and are the guarantee of uniform high quality.



E-coating is Standard

- Superior resistance to severe weather conditions.
- High surface hardness => less risk of damage during transportation and installation



Robust

- High buckling strength through Universal Backplate
- Reinforcement collar around upper leg tubing for greater stability
- Drop forged gears from high quality steel, hardened to extend service life

Maintenance Free

- No further topcoating required
- Main screw sealed in grease filled tube in order to ensure maintenance free operation





LGE 2000



"High Speed" Landing Gear Legs Béquilles télescopiques "Vitesse Super Rapide" Stützvorrichtungen "Super-Schnellgang"

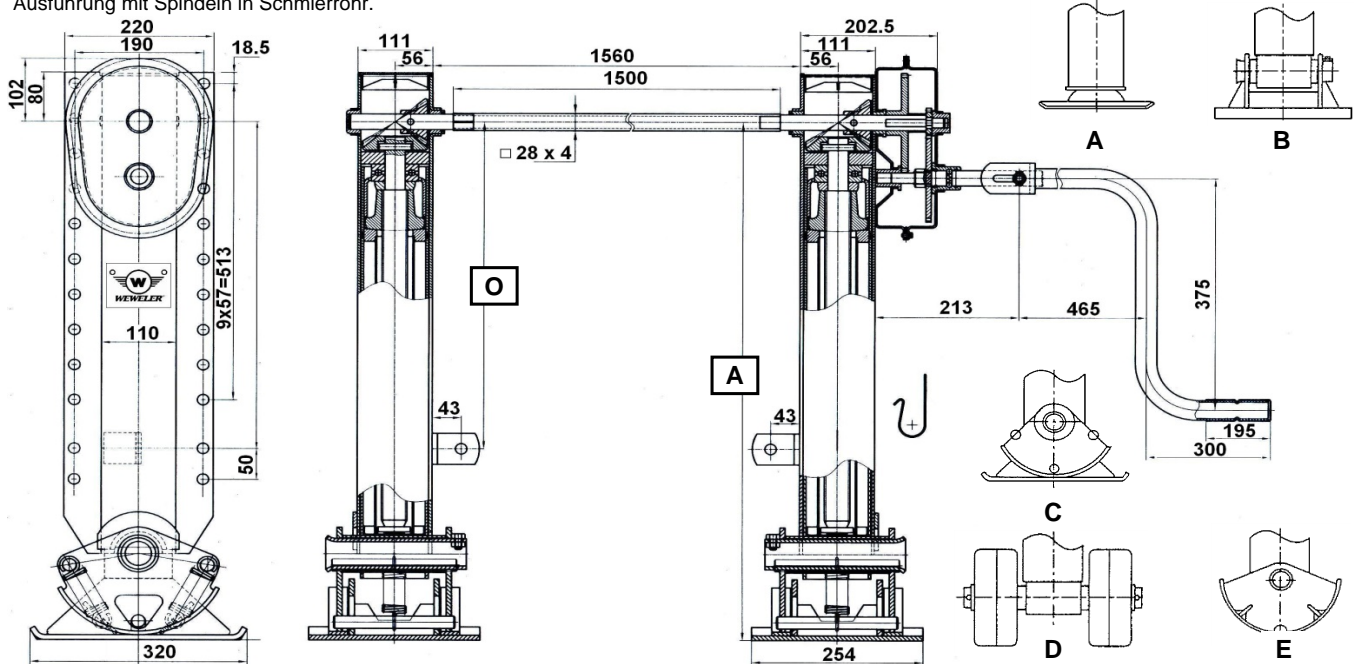
Technical data - Données techniques - Technische Daten

Type - Typ	Lifting capacity - Charge soulevable - Hublast	Static load - Charge statique - Stützlast	Lift by one turn - Vitesse d'élévation - Hubleistung		Crank force of handle - Force manuelle - Kurbeldruck	Weight - Poids - Gewicht
			Low gear - Vitesse réduite - Lastgang	High gear - Grande vitesse - Schnellgang		
LGE2000	24 t	50 t	1 mm	24 mm	32 kg	100 kg

"High Speed" landing Legs with high buckling strength through Universal Backplate - 110mm square section. Main screw sealed in grease filled tube in order to ensure maintenance freeoperation.

Béquilles télescopiques à vitesse super rapide - section 110mm. Plaque de fixation universelle avec haute résistance au flambage - sans entretien, dû à un tube de graissage autour dela vis sans fin.

Stützvorrichtungen mit Super-Schnellgang - Robuster, knickfester Aufbau durch Vierkantrrohr 110mm und Universelle Anschraubplatte - Wartungsfreie Ausführung mit Spindeln in Schmierrohr.



Foot groups - Patin - Fußgruppen	Lift - Course - Hub: 480 mm (O=530)		Lift - Course - Hub: 430 mm (O=480)		Lift - Course - Hub: 340 mm (O=451)	
	Type - Typ	A (mm)	Type - Typ	A (mm)	Type - Typ	A (mm)
A	LGE2006A	788	LGE2016A	738		
B	LGE2006B	812	LGE2016B	762	LGE2026B	672
BL	LGE2006BL	750	LGE2016BL	700		
C	LGE2006C	840	LGE2016C	790	LGE2026C	700
D	LGE2006D	815	LGE2016D	765		
E	LGE2006E	832	LGE2016E	782		



LHD 2000



Heavy Duty" Landing Gear Legs Béquilles télescopiques "Modèle Lourd" Stützvorrichtungen "Schwere Ausführung"

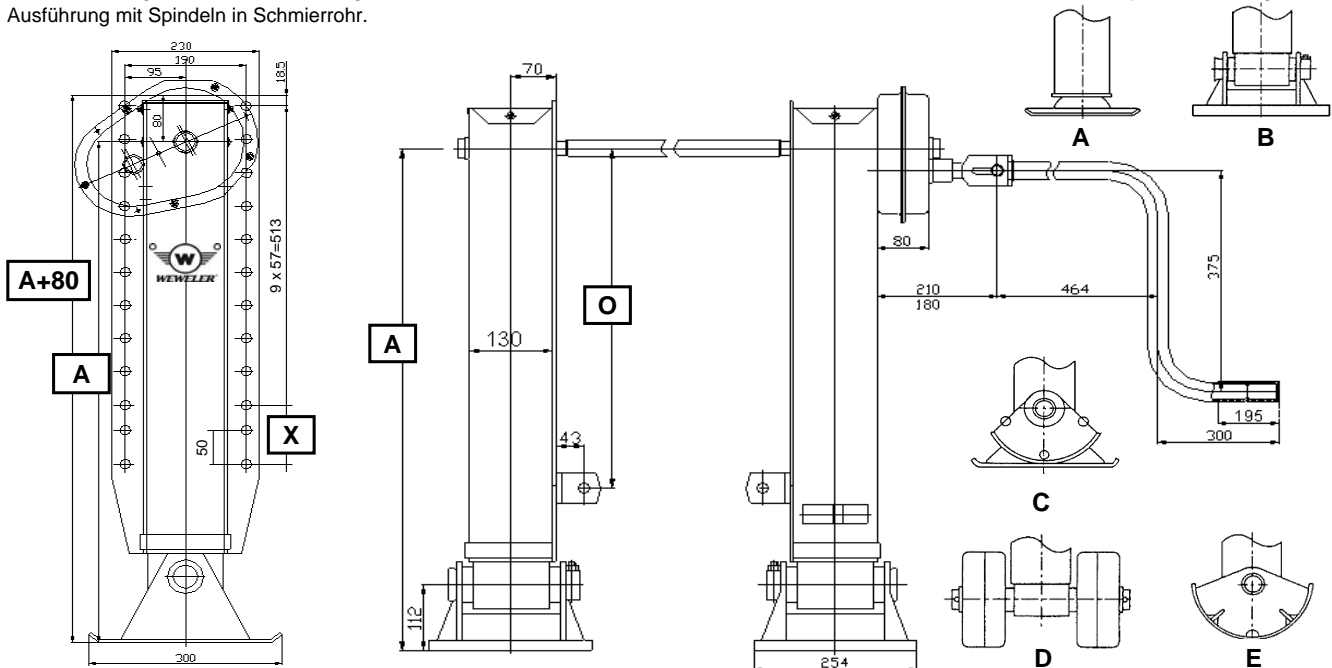
Technical data - Données techniques – Technische Daten

Type - Typ	Lifting capacity - Charge soulevable - Hublast	Static load - Charge statique - Stützlast	Lift by one turn - Vitesse d'élévation - Hubleistung		Crank force of handle - Force manuelle - Kurbeldruck	Weight - Poids - Gewicht
			Low gear - Vitesse réduite - Lastgang	High gear - Grande vitesse - Schnellgang		
LHD2000	28 t	80 t	1 mm	11 mm	35 kg	105 kg

Heavy Duty 2 speed landing Legs with high buckling strength through Universal Backplate and 130mm square section. Main screw sealed in grease filled tube in order to ensure maintenance freeoperation.

Béquilles télescopiques "Modèle Lourd" à 2 vitesses - section 130mm. Plaque de fixation universelle avec haute résistance au flambage - sans entretien, dû à un tube de graissage autour de la vis sans fin.

Stützvorrichtungen schwere Ausführung - Robuster, knickfester Aufbau durch Vierkantröhr 130mm und Universelle Anschraubplatte - Wartungsfreie Ausführung mit Spindeln in Schmierrohr.



Foot groups - Patin - Fußgruppen	Lift - Course - Hub: 480 mm (O=530)		Lift - Course - Hub: 430 mm (O=480)		Lift - Course - Hub: 300 mm (O=380)	
	Type - Typ	A (mm)	Type - Typ	A (mm)	Type - Typ	A (mm)
A	LHD2006A	829	LHD2016A	779	LHD2036A	649
B	LHD2006B	853	LHD2016B	803		
BL	LHD2006BL	791	LHD2016BL	741		
C	LHD2006C	881	LHD2016C	831		
D	LHD2006D	856	LHD2016D	806		
E	LHD2006E	873	LHD2016E	823		



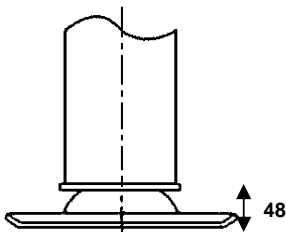
LGE - LHD



Spare Parts
Pièces de rechange
Ersatzteilen

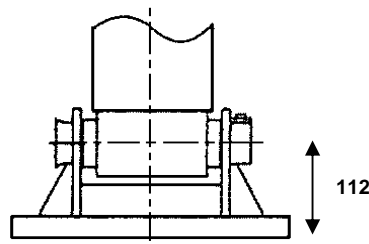
TYPE A

Ball-joint Foot (Elephant)
Patin Oscillant
Kugelfuß
LRS00099A



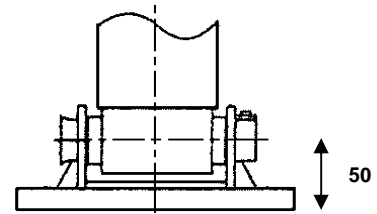
TYPE B

Pivoting Foot with Axle
Patin Pivotant avec Axe
Stützfuß mit Achse
LRS00099B



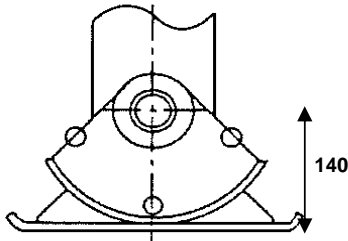
TYPE BL (ULTRA LOW)

Pivoting Foot with Axle
Patin Pivotant avec Axe
Stützfuß mit Achse
LRS00099BL



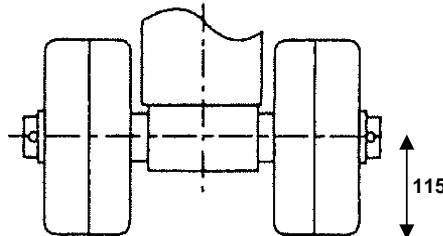
TYPE C

Compensating Foot
Pied compensateur
Ausgleichsfuß
LRS00099C



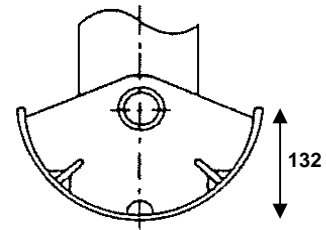
TYPE D

Wheels
Roues
Laufrollen
LRS00099D



TYPE E

Rocking Foot
Patin demi-lune
Halbrolle
LRS00099E



AXLE

Axle B-C-E
Axe B-C-E
Achse B-C-E
LRS00098



Axle D
Axe D
Achse D
LRS00098D



TYPE C - SPRING

Spring (Compensating C-Foot)
Ressort
Feder
LRS05001





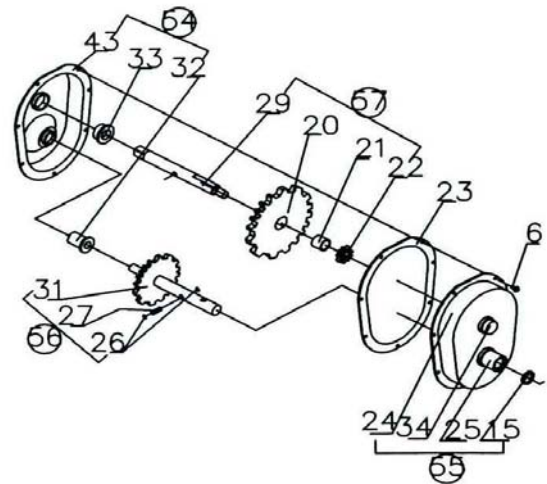
LGE - LHD



Spare Parts
Pièces de rechange
Ersatzteilen

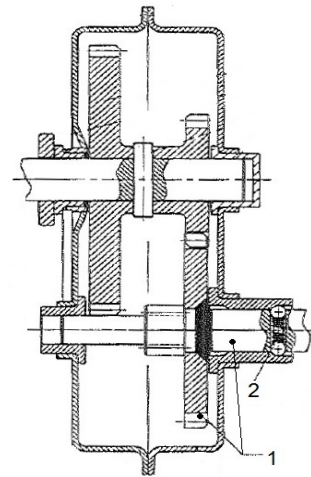
GEARBOX LGE

Pos.	Reference	Description
54	LRS02241	Repair Kit 1
55	LRS02242	Repair Kit 2
56	LRS02243	Repair Kit 3
57	LRS02244	Repair Kit 4



GEARBOX LHD

Pos.	Reference	Description
1	LRS02701	Repair Kit 1: Input gear + Shaft
2	LRS02704	Repair Kit 2: Bushing Shaft



HANDLE

Pos.	Reference	A
Universal	LRS00091	465 mm
Long	LRS00091.565	565 mm

