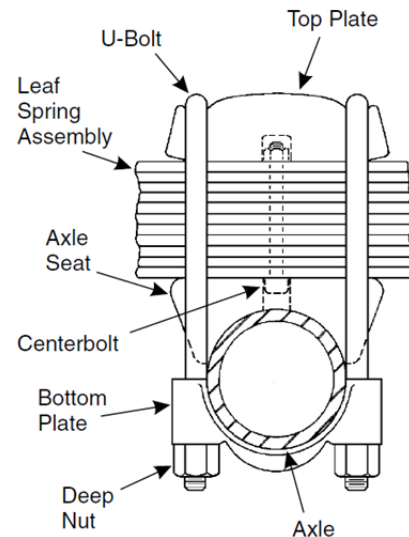


FAQ The importance of quality U-Bolt

U-Bolts serves in 4 critical and related roles:

- The U-bolt provides the force required to clamp the spring firmly together.
- Properly installed quality U-bolts eliminates any flexing of the spring in the area between the U-bolts. This is critical since the hole for the center bolt acts as a stress concentration which can lead to breakage of the spring.
- By firmly clamping the spring to the axle seat the horizontal forces acting on the center bolt are reduced
- Proper clamping of the spring by the U-bolts provides the desired spring stiffness and contributes to maintaining the vehicle ride height and handling characteristics.



Correctly adjusted “quality U-bolts” give optimal spring performance and prevent early breakage!

Torque recommendations: Weweler-Colaert always recommend to use vehicle manufacturer U-Bolt torque specifications.

The recommended U-Bolt torque specs will help to keep your leaf springs tight and maintained. If the OE specifications are not available, we recommend to use the standard torque values for bolts and rods. (see FAQ U-bolt torque recommendations.)